



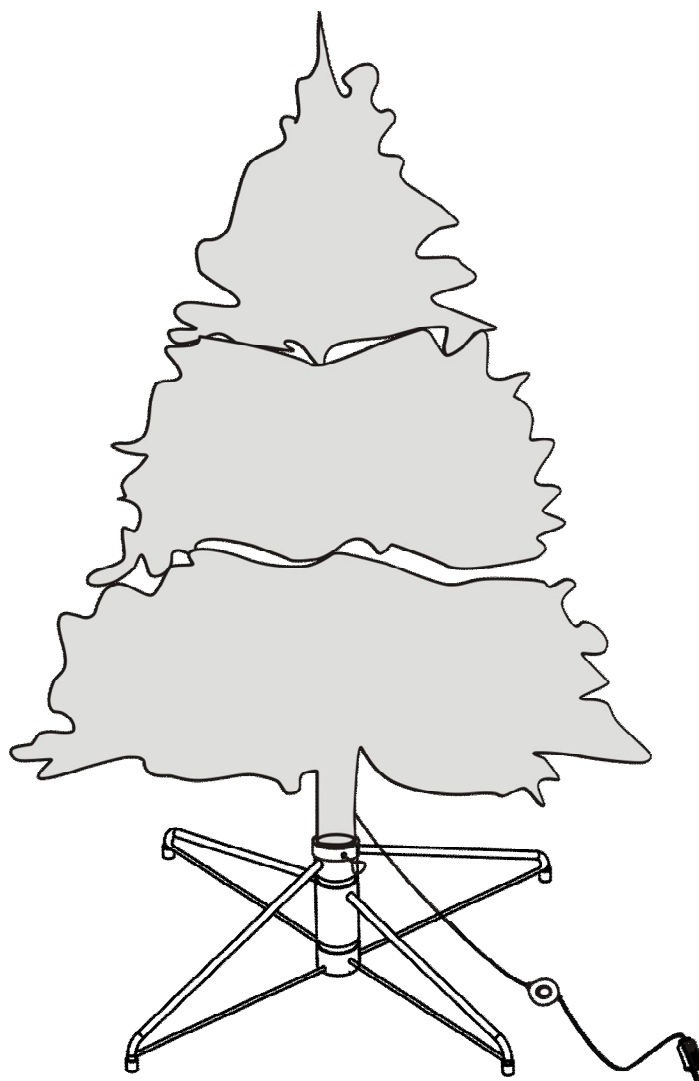
ITEM #0243778

7.5 FT ENGLEWOOD PRE-LIT PINE TREE

MODEL #W14L0099

Holiday Living & Design® is a registered trademark of LF, LLC. All Rights Reserved.

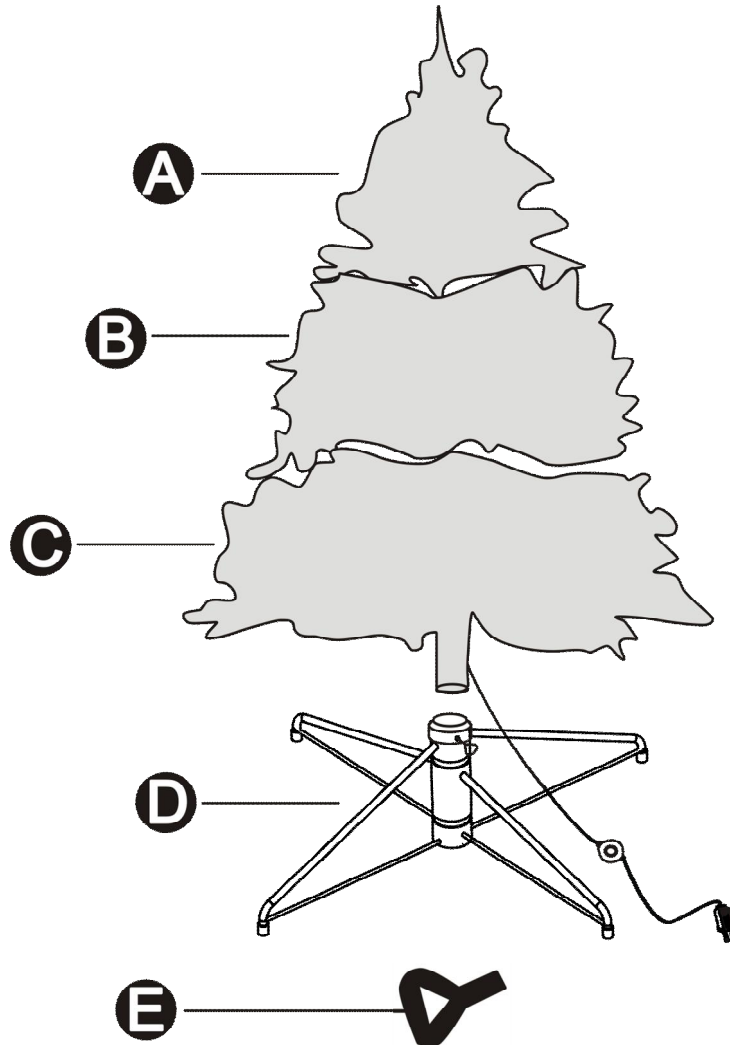
Español p. 7



Questions, problems, missing parts? Before returning to your retailer, call our customer service department at 1-800-643-0067, 8 a.m. - 6 p.m., EST, Monday - Thursday, 8 a.m. - 5 p.m., EST, Friday.

AB1373

PACKAGE CONTENTS



PART	DESCRIPTION	QUANTITY
A	Top Section	1
B	Middle Section	1
C	Bottom Section	1
D	Base	1
E	Screw	1

⚠ SAFETY INFORMATION

Please read and understand this entire manual before attempting to assemble, operate or install the product.

WARNING

To reduce the risk of electric shock or injury:

- Do not plug in the unit before assembly.
- Keep electric wires clear of being pinched or cut during assembly or installation. Discard sets with cut or damaged insulation.
- For indoor use.

⚠ RISK OF FIRE

Do not replace attachment plug. Discard product if the attachment plug is damaged.

CAUTION

- To reduce the risk of overheating, replace burned-out bulbs promptly. Use 3 volt LED bulbs only.
- These lightings are rated 10 watts (0.14 amps). Do not overload.

When using electrical products, basic precautions should always be followed including the following:

READ AND FOLLOW ALL SAFETY INSTRUCTIONS

- Do not use seasonal products outdoors unless marked suitable for indoor and outdoor use. When products are used in outdoor applications, connect the product to a Ground Fault Circuit Interrupting (GFCI) outlet. If one is not provided, contact a qualified electrician for proper installation.
- This seasonal-use product is not intended for permanent installation or use.
- Do not mount or place near gas or electric heaters, fireplaces, candles or other similar sources of heat.
- Do not secure the wiring of the product with staples or nails, or place on sharp hooks or nails.
- Do not let lamps rest on the supply cord or on any wire.
- Unplug the product when leaving the house, when retiring for the night, or if left unattended.
- This is an electric product – not a toy! To avoid risk of fire, burns, personal injury and electric shock it should not be played with or placed where small children can reach it.
- Do not use this product for other than its intended use.
- Do not hang ornaments or other objects from cord, wire or light string.
- Do not close doors or windows on the product or extension cords as this may damage the wire insulation.
- Do not cover the product with cloth, paper or any material not part of the product when in use.
- This product is equipped with push-in type bulbs. Do not twist bulb.
- For connection to a supply not in the U.S.A., use an attachment plug adapter of the power configuration for the power outlet, if needed.
- Do not abuse cord – Do not carry product by the cord or yank or pull it to disconnect from the outlet.
- Disconnect the product from the outlet when not in use.
- CAUTION- If the connector of this lighting string does not properly fit into the connector of the driver, do not modify the product and discard product if the connector is damaged.
- Read and follow all instructions that are on the product or provided with the product.

SAVE THESE INSTRUCTIONS

PREPARATION

Before beginning assembly of product, make sure all parts are present. Compare parts with package contents list and diagram above. If any part is missing or damaged, do not attempt to assemble, install or operate the product.

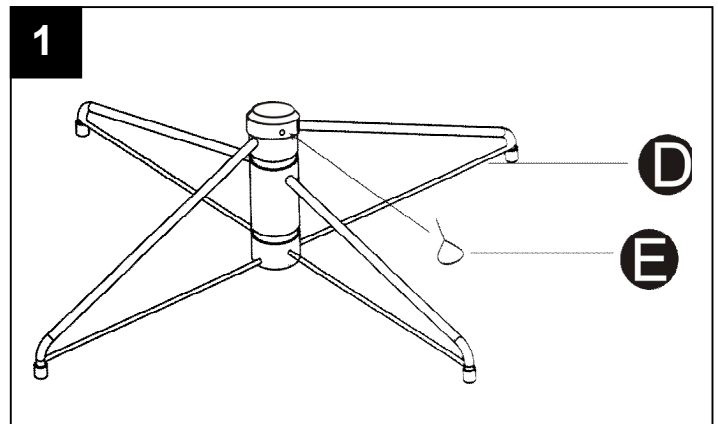
Estimated Assembly Time: 20 minutes

No tools required for assembly.

ASSEMBLY INSTRUCTIONS

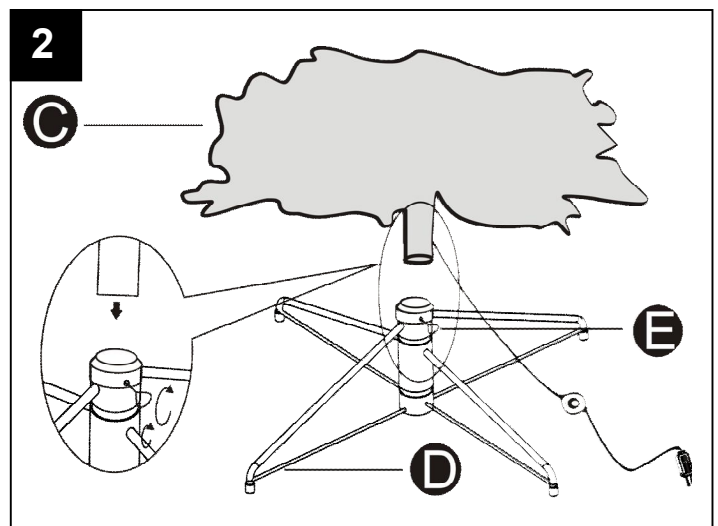
1. Place the base (D) on a level surface.

Unfold the base (D) and insert the screw (E) into the hole.



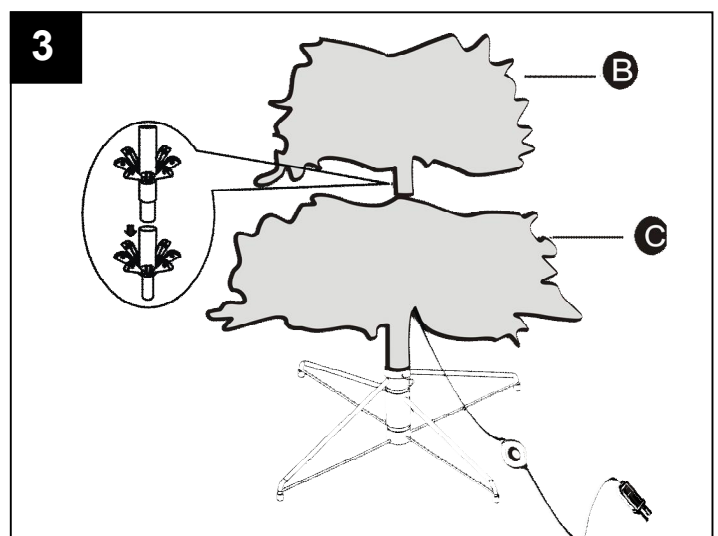
2. Insert the bottom section (C) into the base (D) and ensure proper circuit connection.

Secure the base with the screw (E).



3. Insert the middle section (B) into the bottom section (C).

Rotate the middle section (B) slightly to ensure it matches the bottom section (C) and proper circuit connection if lights are not functioning.

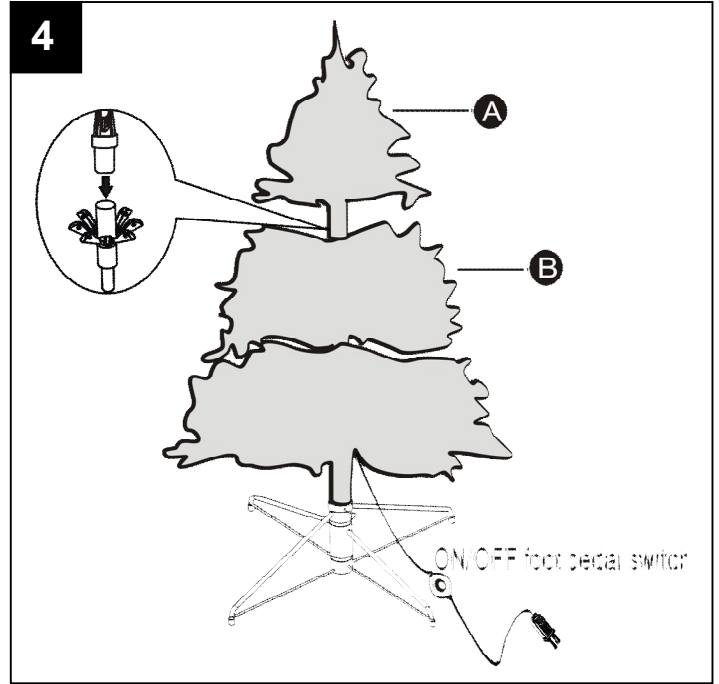


4. Insert the top section (A) into the middle section (B).

Rotate the top section (A) slightly to ensure it matches the middle section (B) and proper circuit connection if lights are not functioning

Plug electrical cord into a properly grounded outlet.

This tree comes with an on/off foot pedal switch for easy illumination.



USER SERVICING INSTRUCTIONS

Replace the lamp.

- Grasp plug and remove from the receptacle or other outlet device. Do not unplug by pulling on the cord.
- Remove the reflector of the bulb (Fig. 1).
- Pull bulb straight out of socket. Do not twist bulbs (Fig. 2).
- Replace burned-out bulb with 3.0 volt, 0.06 watt LED bulb ONLY. Directly insert the LED bulb into the lampholder (Fig. 3).
- Insert the reflector into the bulb (Fig. 4).
- If the bulb doesn't light up, change the LED bulb's direction to insert into the lampholder (replacement bulbs are provided) (Fig. 5).

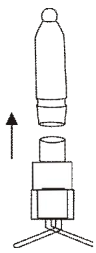


Fig. 1



Fig. 2



Fig. 3

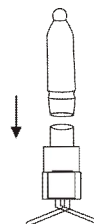


Fig. 4

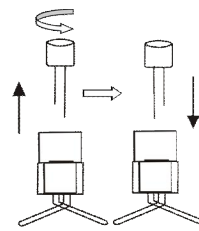


Fig. 5

CARE AND MAINTENANCE

- Before using or reusing, inspect product carefully. Discard any products that have cut, damaged or frayed wire insulation or cords, cracks in the lampholders or enclosures, loose connections, or exposed copper wire.
- When storing the product, carefully remove the product from wherever it is placed to avoid any undue strain or stress on the product conductors, connections, and wires.
- When not in use, store neatly in a cool, dry location protected from sunlight.

TROUBLESHOOTING

PROBLEM	POSSIBLE CAUSE	CORRECTIVE ACTION
The product does not light.	1. One or more of the bulbs are loose or out of the sockets.	1. Unplug the product. Starting with the first unlit bulb, gently push (don't twist) each bulb firmly into the socket. At the same time, look and feel for a broken bulb in the socket or an empty socket where a bulb has fallen out.
A bulb is broken.	1. The bulb was impacted or shifted during transport.	1. Mark it with a piece of tape and unplug the product before removing the bulb socket and any fragments. Replace the broken bulb. Should a light flicker while doing this, you have probably found the faulty bulb. Replace with a new bulb.
A bulb is burned out.	1. Incorrect bulb or voltage is too high.	1. The remaining bulbs will stay lit; however, it is best to replace any burned out bulbs as soon as you find them.

REPLACEMENT PARTS LIST

For replacement parts, call our customer service department at 1-800-643-0067, 8 a.m. - 6 p.m., EST, Monday - Thursday, 8 a.m. - 5 p.m., EST, Friday.

PART	DESCRIPTION	PART #
F	BULB	W14L0099-B

F



Printed in China