



## Safety Information

# IMPORTANT SAFETY INSTRUCTIONS

When using electrical products, basic precautions should always be followed including the following:

### a) READ AND FOLLOW ALL SAFETY INSTRUCTIONS.

- b) This product is for indoor use only. The electrical rating 1.7 A 120 V 60 Hz.
- c) This seasonal use product is not intended for permanent installation or use.
- d) Do not mount or place near gas or electric heaters, fireplace, candles or other similar sources of heat.
- e) Do not secure the wiring of the product with staples or nails, or place on sharp hooks or nails.
- f) Do not let lamps rest on the supply cord or on any wire.
- g) Unplug the product when leaving the house, when retiring for the night, or if left unattended.
- h) This is an electric product – not a toy! To avoid risk of fire, burns personal injury and electric shock it should not be played with or placed where small children can reach it.
- i) Do not use this product for other than its intended use.
- j) Do not hang ornaments or other objects from cord, wire, or light string.
- k) Do not close doors or windows on the product or extension cords as this may damage the wire insulation.
- l) Do not cover the product with cloth, paper or any material not part of the product when in use.
- m) This product employs overload protection (fuse). A blown fuse indicates an overload or short-circuit situation. If the fuse blows, unplug the product from the outlet. Also unplug any additional strings or products that may be attached to the product. Replace the fuse as per the User Servicing Instructions (following product marking for proper fuse rating) and check the product. If the replacement fuse blows, a short-circuit may be present and the product should be discarded.
- n) This product is equipped with push-in type lamps. Do not twist lamps.
- o) This product has a polarized plug (one blade is wider than the other) as a feature to reduce the risk of electric shock. This plug will fit in a polarized outlet only one way. If the plug does not fit fully in the outlet, reverse the plug. If it still does not fit, contact a qualified electrician. Do not use with an extension cord unless plug can fully inserted. Do not alter or replace the plug.
- p) Read and follow all instructions that are on the product or provided with the product.

### q) SAVE THESE INSTRUCTIONS.

**CAUTION! – ALWAYS UNPLUG YOUR TREE FROM ITS POWER SOURCE BEFORE ASSEMBLING OR DISASSEMBLING.**








## 7 ft Noble Fir Quick-Set Artificial Christmas tree with 500 Clear Lights

SKU# 1001302145



## Pre-Assembly

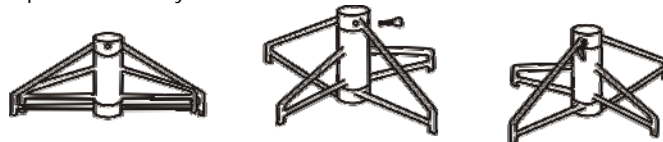
### Package Contents

A. Tree top Qty: 1 	B. Tree center Qty: 1 	C. Tree bottom Qty: 1 
D. Stand with an eye bolt Qty: 1 	E. Power cord Qty: 1 	F. Replacement bulb Qty: 10 
		G. Fuse Qty: 1 

## Assembly

### Assembling the tree stand

- Step 1. Choose a location near a wall outlet.
- Step 2. Open the stand to a 90 degree angle until the hole lines up with the hole on the tube.
- Step 3. Screw an eye bolt into the hole.

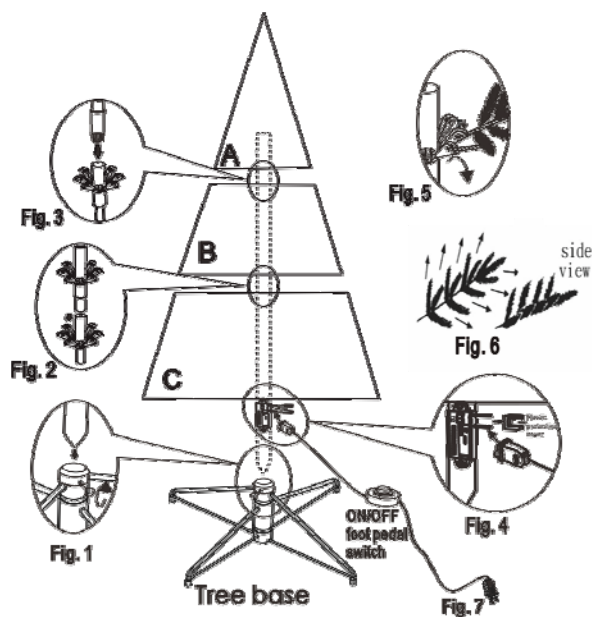


### Assembling the tree

Please remove protective covers from the base of the pole for each tree section before assembling.

- Step 1. Insert tree bottom (C) into the tree stand (D) and tighten the screw. (See Fig. 1)
- Step 2. Insert tree center (B) into the tree bottom (C). (See Fig. 2)
- Step 3. Insert the tree top (A) into the tree center (B). (See Fig. 3)
- Step 4. Remove the plastic protective cover on the plug fixed on the pole of the bottom section (C). Insert the plug into the end connector of the power supply cord with an on/off foot pedal switch according to the magnified drawing on Fig. 4.

- Step 5. Allow branches to fall into place or gently pull branches up and out. When adjusting branches be sure that all wires are free of branch hinges. (See Fig. 5)
- Step 6. Shape the branches. Starting with tips closest to the pole, shape one tip to the right, one to the left and one at the center of the main stem. Repeat pattern for each branch. (See Fig. 6)
- Step 7. Plug the well-connected power supply cord from the bottom section (C) into electrical outlet. Please note this tree comes with an on/off foot pedal switch for easy illumination.



## Operation

### Turning on the tree

NOTE: If some bulbs do not light or flicker, search for any loose, broken bulbs and/or missing bulbs. Replace bulbs promptly with the replacement bulbs provided in order to maintain the performance and life expectancy of your tree.

- Step 1. Connect each tree section well and plug the power cord into a wall outlet.

## Maintenance

### Fuse Replacement

A) Extension cord fuse replacement (1 replaceable 5 A, 125 V fuse is located in the plug):

Note: This plug will fit in a polarized outlet only one way. If the plug does not fit fully in the outlet, reverse the plug.

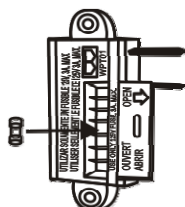
1. Grasp plug and remove from its power source.
2. Locate blown fuse by sliding access cover on top of plug towards prongs.
3. Remove blown fuse by turning the plug over. Fuses should fall into your hand (gentle tapping may be required).
4. Locate spare replacement fuse included in plug.
5. Insert spare replacement fuse. Close fuse cover by sliding fuse access cover towards the cord.



**CAUTION:** To reduce risk of fire – replace fuse in extension cord with only 5 A, 125 V fuse. Do not replace attachment plug. Discard product if the attachment plug is damaged.

B) Fuse replacement of the plug fixed on bottom section (C):

1. Grasp power supply plug and remove from its power source.
2. Locate the plug fixed on bottom section (C). Slide access cover on top of plug towards prongs.
3. Remove blown fuse.

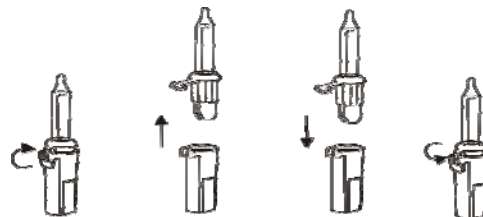


4. Locate spare replacement fuse provided with product.
5. Insert spare replacement fuse. Close fuse cover by sliding fuse access cover back.

**CAUTION:** To reduce risk of fire – replace fuse in plug fixed on bottom section (C) with only 3 A, 125 V fuse. Discard product if the attachment plug is damaged.

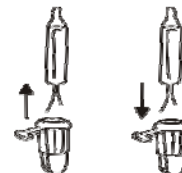
### Replacing the bulbs

1. Grasp plug and remove from its power source.
2. Unlock the lamp lock on the socket of the bulb.
3. Pull bulb AND plastic base straight out of socket. Do not twist bulbs while you are removing them.
4. Replace burnt out bulb with 2.5 V, 0.425 W bulb ONLY. (Additional bulbs are included for your convenience.)
5. Relock the lamp lock on the socket of the bulb.



If the new lamp base does not fit in lampholder, follow these steps:

- a) Remove the base of burned out lamp by straightening lamp leads and gently pull lamp out.
- b) Thread leads of new lamp through holes in old base with one lead in each hole.
- c) After lamp is fully inserted into base, bend each lead up, like other lamps in the light set so that the leads will touch the contacts inside the lampholder.



**CAUTION! – ALWAYS UNPLUG YOUR TREE FROM ITS POWER SOURCE BEFORE ATTEMPTING FUSE AND BULB REPLACEMENT.**

## Care and Cleaning

- Step 1. Remove all ornaments and decorations.
- Step 2. Unplug the plug cord from the wall outlet. And remove your power supply cord with an on/off foot pedal switch from bottom section (C) and save it.
- Step 3. Gently lift the tree top straight up to remove from the center section and fold all branches towards the pole.
- Step 4. Repeat this step for the center and bottom tree sections.
- Step 5. Carefully place all tree sections into a shipping box and tape it shut.
- Step 6. Store your tree in a cool, dry place away from sunlight.

## Troubleshooting

Problem	Solution
The tree does not light	Ensure that all tree sections are plugged into each other and that the tree is plugged into the wall outlet.
	Check for blown fuses at the extension cord plug and the plug fixed on the bottom section (C). Replace as needed with the replacement fuses provided.
	Check for loose, broken, or missing bulbs and replace as needed with the replacement bulbs provided.
	If you are still experiencing problems with the tree please call 1-877-527-0313 for instructions.